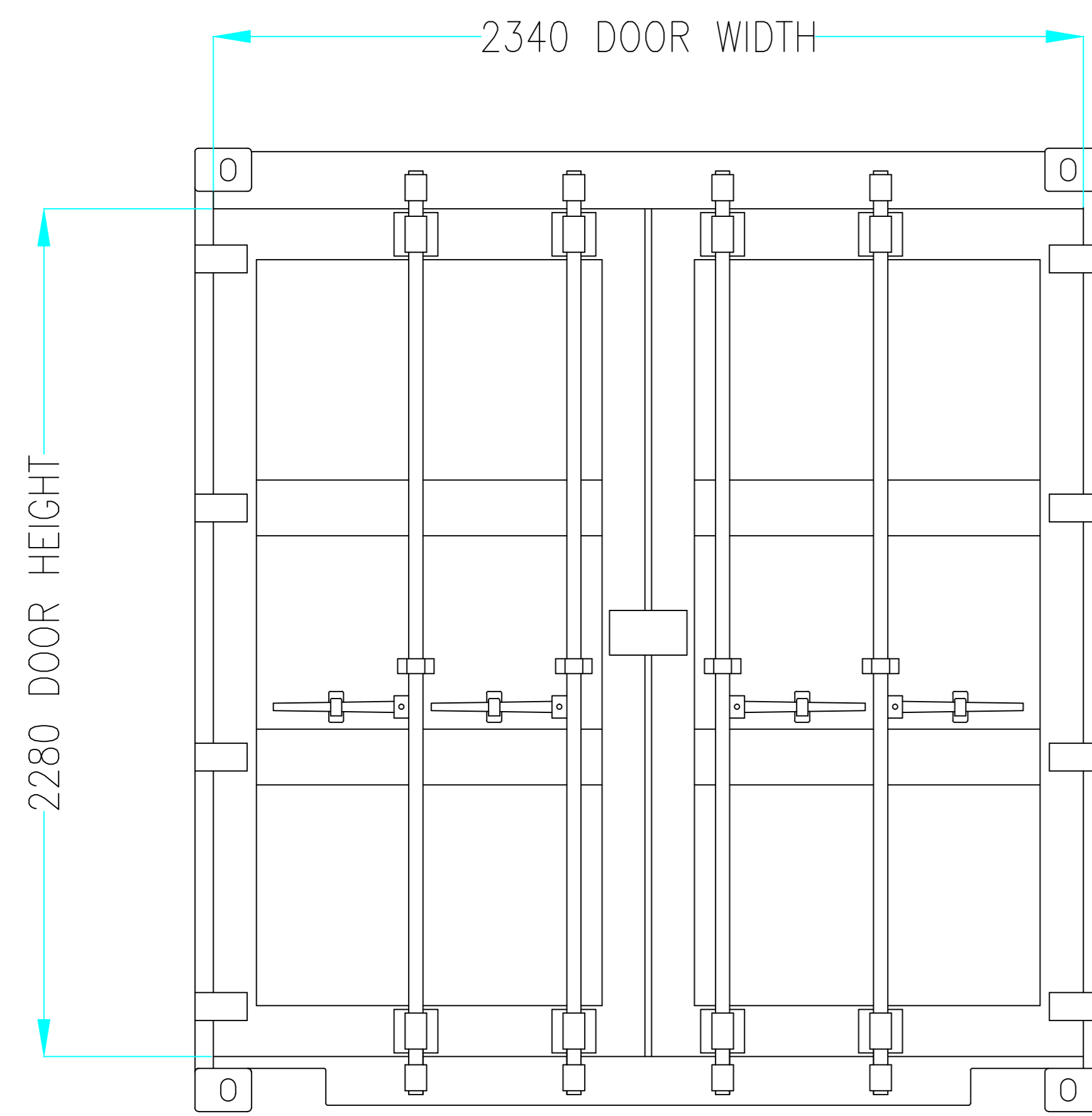
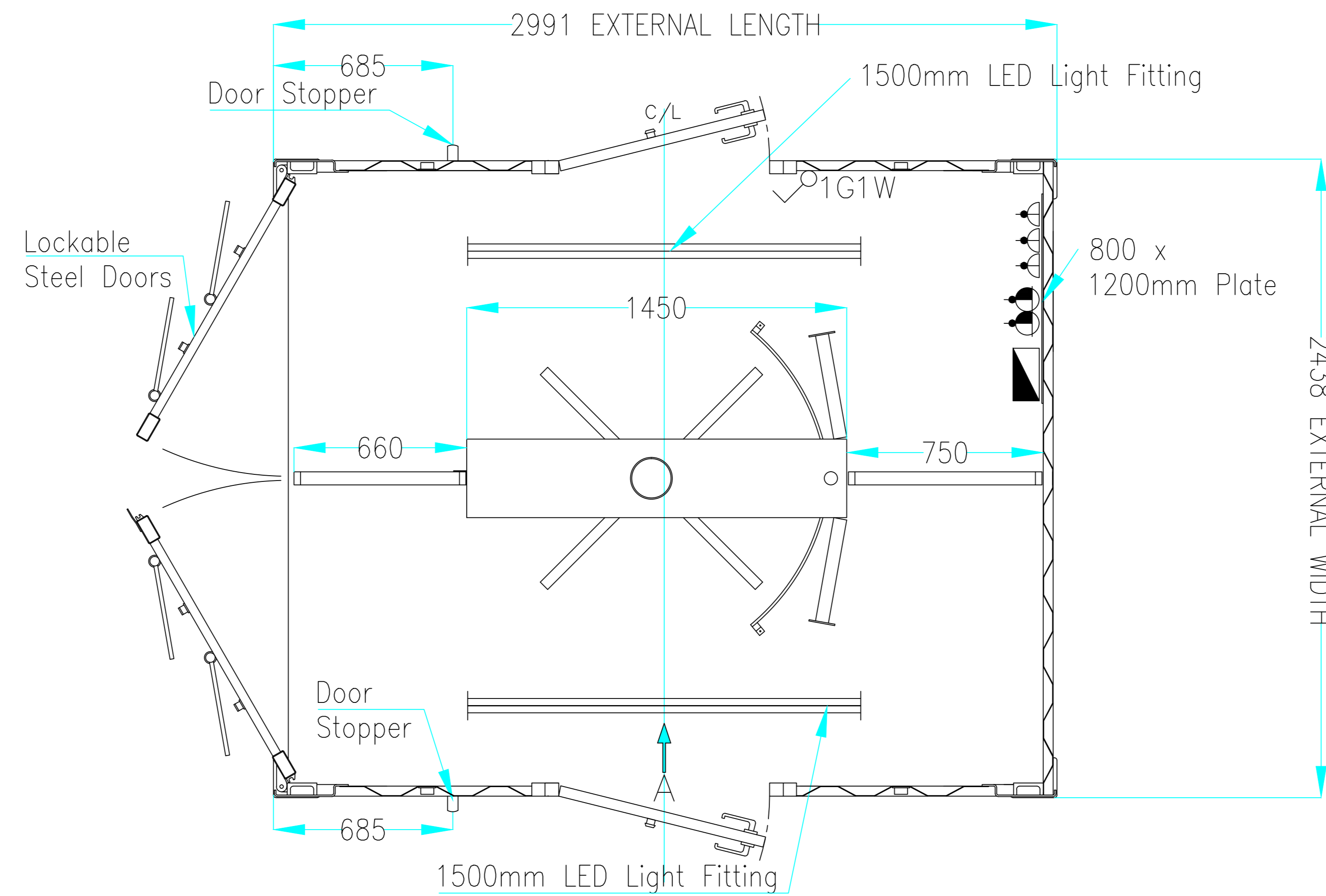


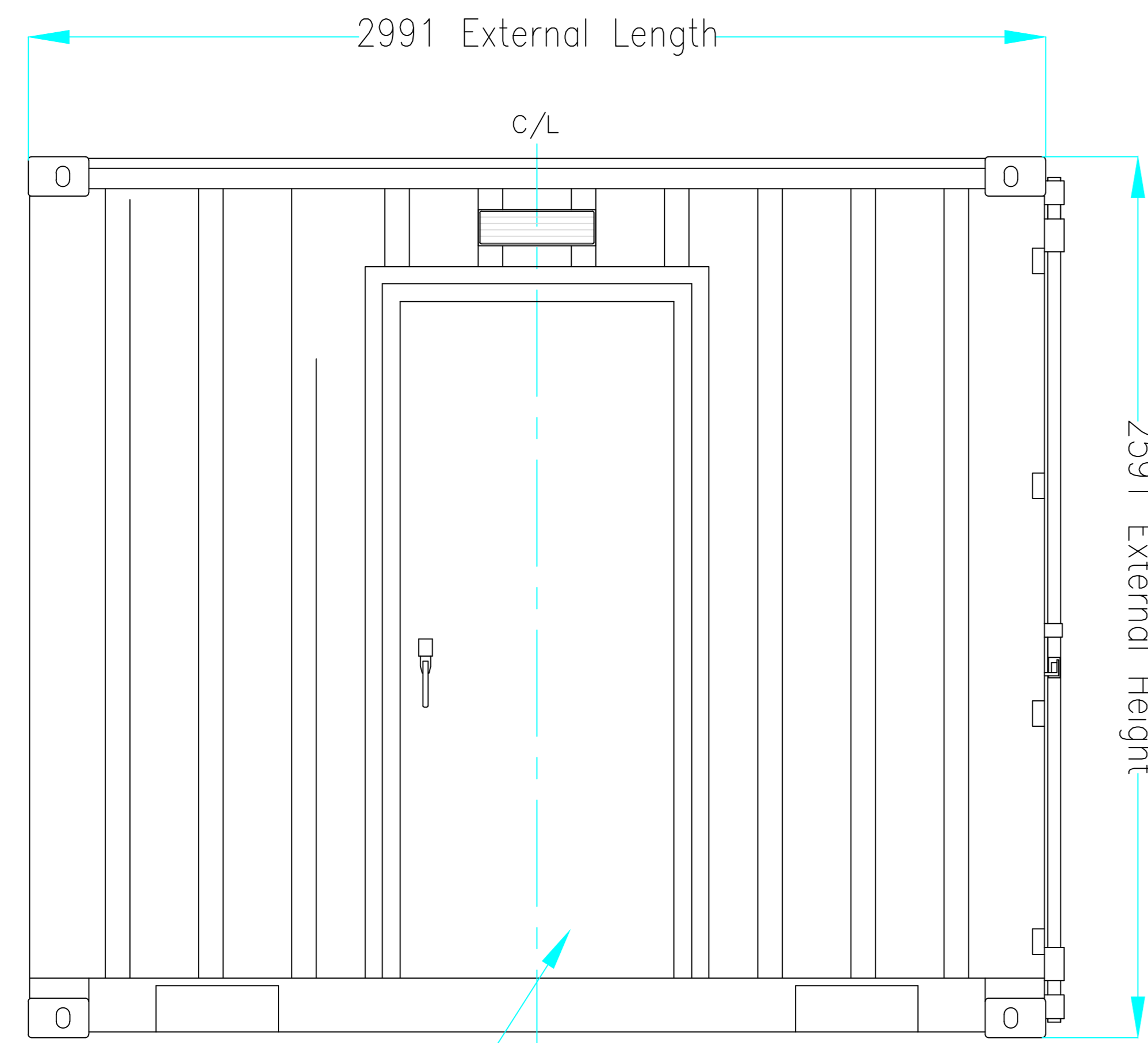
DOOR ELEVATION



SECTIONAL PLAN

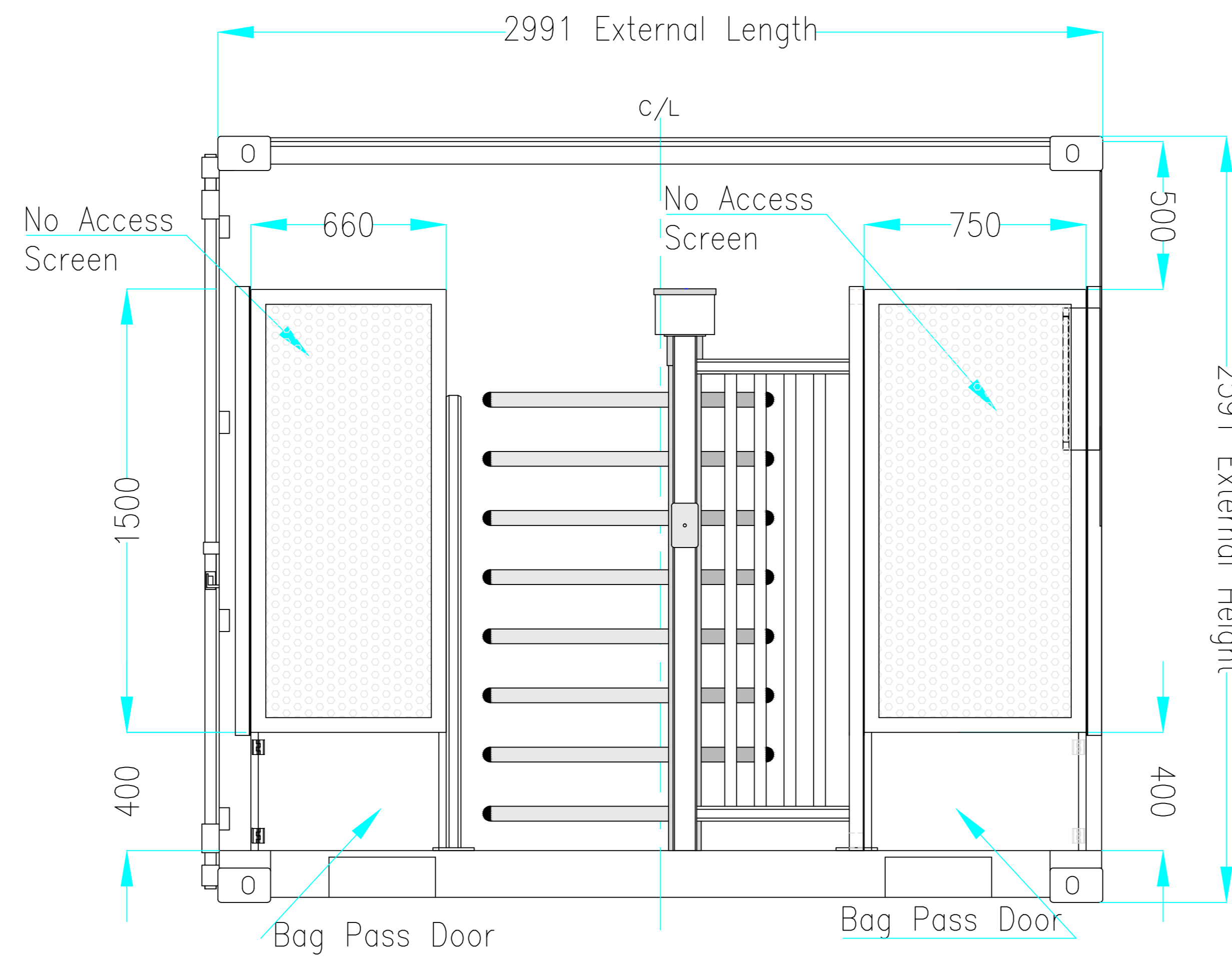


SIDE ELEVATION

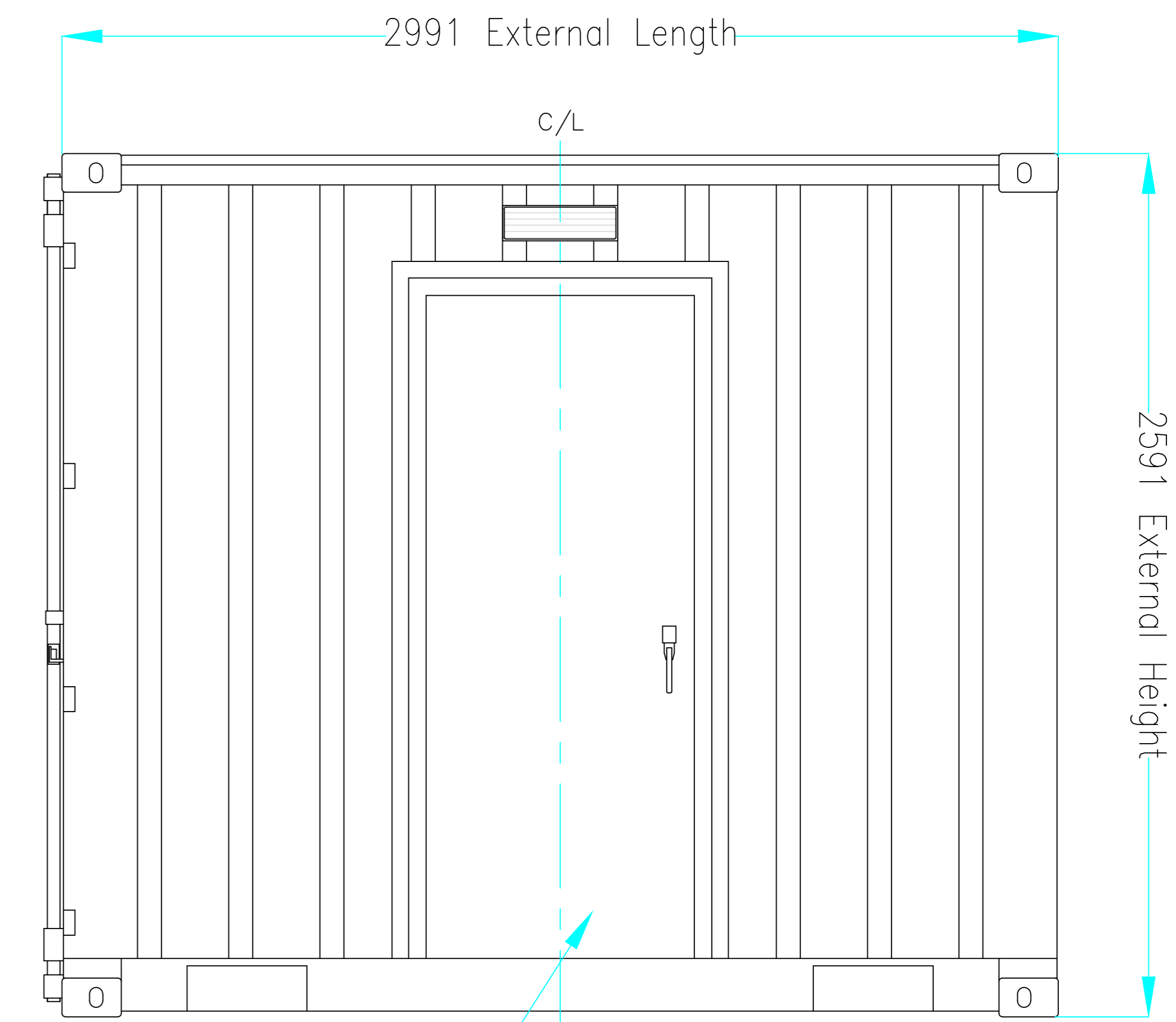


1990 x 805 Inside Opening of Pedestrian Doors (10-point Locking)

SIDE SECTION VIEW A



SIDE ELEVATION



1990 x 805 Inside Opening of Pedestrian Doors (10-point Locking)

portablespace
cabin and container hire | sales | conversions

Unit 1, Red House Farm Business Units, Bacton, Suffolk, IP14 4LE

Tel: 01449 782123
Fax: 0845 3311434

Copyright in this drawing belongs to Portable Space Ltd. Neither the whole drawing nor any part thereof may be reproduced without the prior permission in writing of Portable Space Ltd

DRAWING STATUS

- 1 PRELIMINARY (FOR INFORMATION ONLY)
- 2 CLIENT APPROVED
- 3 ISSUED FOR MANUFACTURE
- 4 AS BUILT

COLOUR: RAL TBC

OVERALL CAPACITY (M3):	*
UNLADEN WEIGHT (KG)	*
MAXIMUM LADEN WEIGHT (KG)	*
MAXIMUM LIFT WEIGHT (KG)	*

- 5 WAY SINGLE PHASE METAL CLAD DISTRIBUTION BOARD
- 2Kw PANEL HEATER
- TUBULAR HEATER
- HIGH LEVEL FAN HEATER
- RED BULKHEAD 16W PLS
- 1500mm LED ANTI CORROSIVE LIGHT FITTING
- BULKHEAD LIGHT
- WATER HEATER
- 13A TWIN SOCKET - LOW
- 13A TWIN SOCKET - HIGH

- SWITCH SPUR
- WALL LIGHT SWITCH
- PULL LIGHT SWITCH
- THERMOSTAT
- EXTRACTION FAN
- SHOWER HEATER
- FROST STAT
- VENT
- E.S 12mm EARTHING STUD

- OIL FILLED RADIATOR
- EMERGENCY EXIT LIGHT
- 10-POINT LOCKING PEDESTRIAN STEEL DOOR

Additional Details:

Title
PORTABLE SPACE LTD:
10' X 8' SINGLE TURNSTILE UNIT

Unit Type
10' STANDARD ONE TRIP CONTAINER

Date	Scale	Drawn By
20-03-19	N.T.S	LG
Q No.	Drawing No.	Rev.
*	QF-888	0

Revision Details:

*