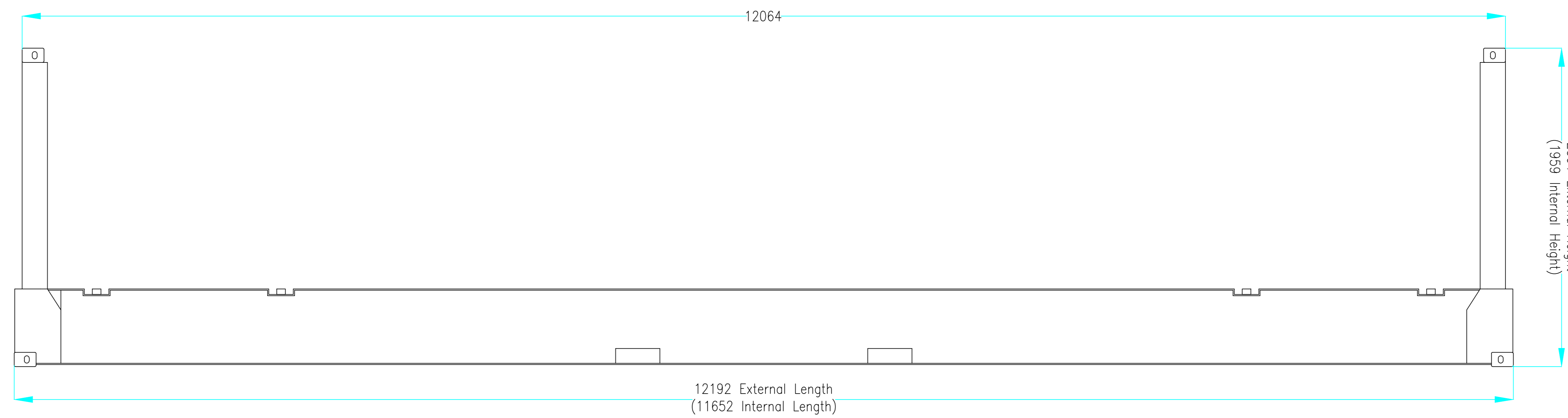
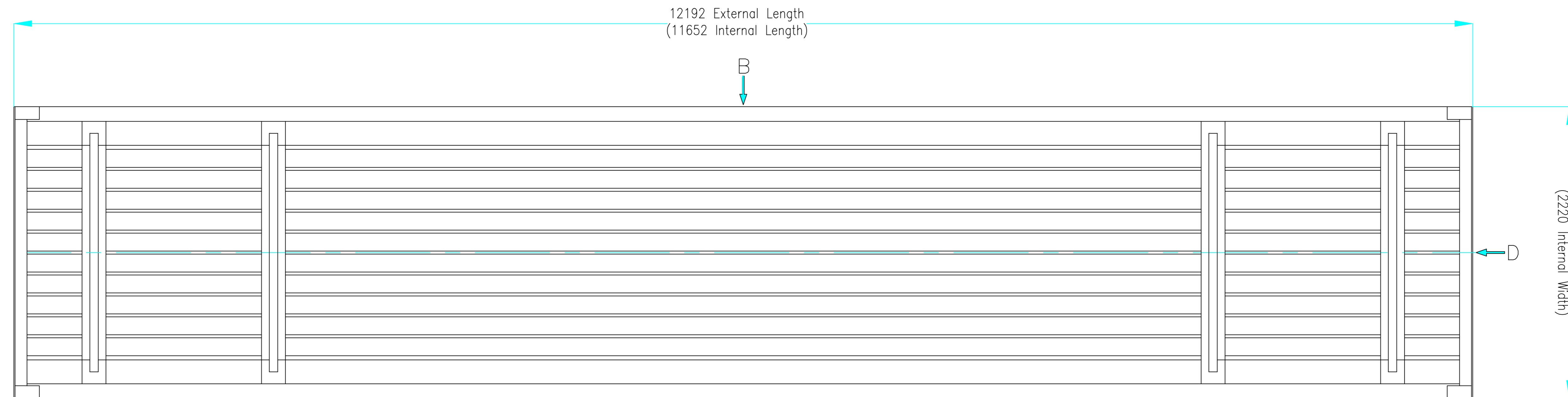


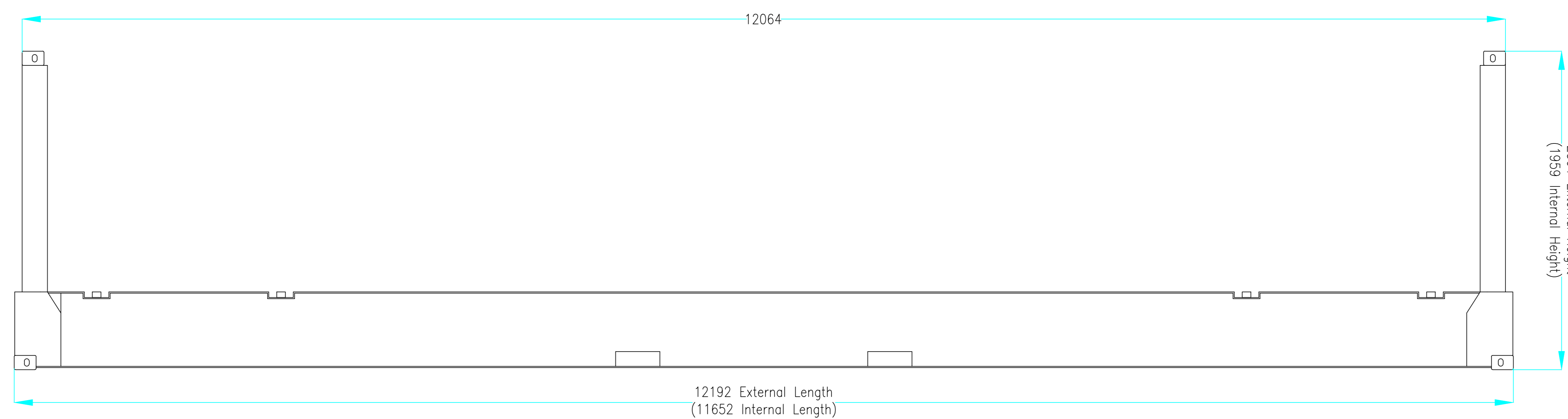
SIDE ELEVATION "B"



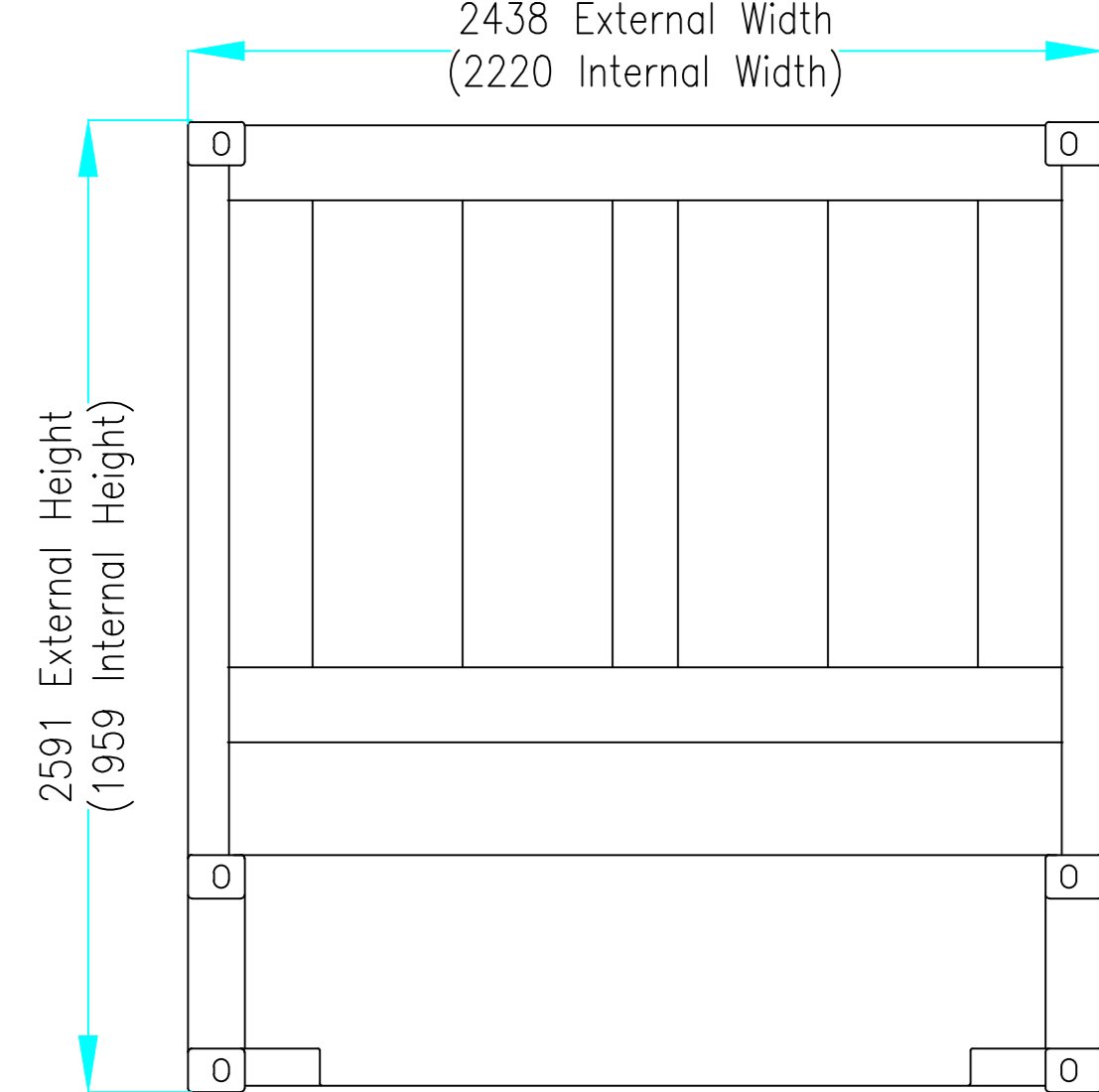
SECTIONAL PLAN



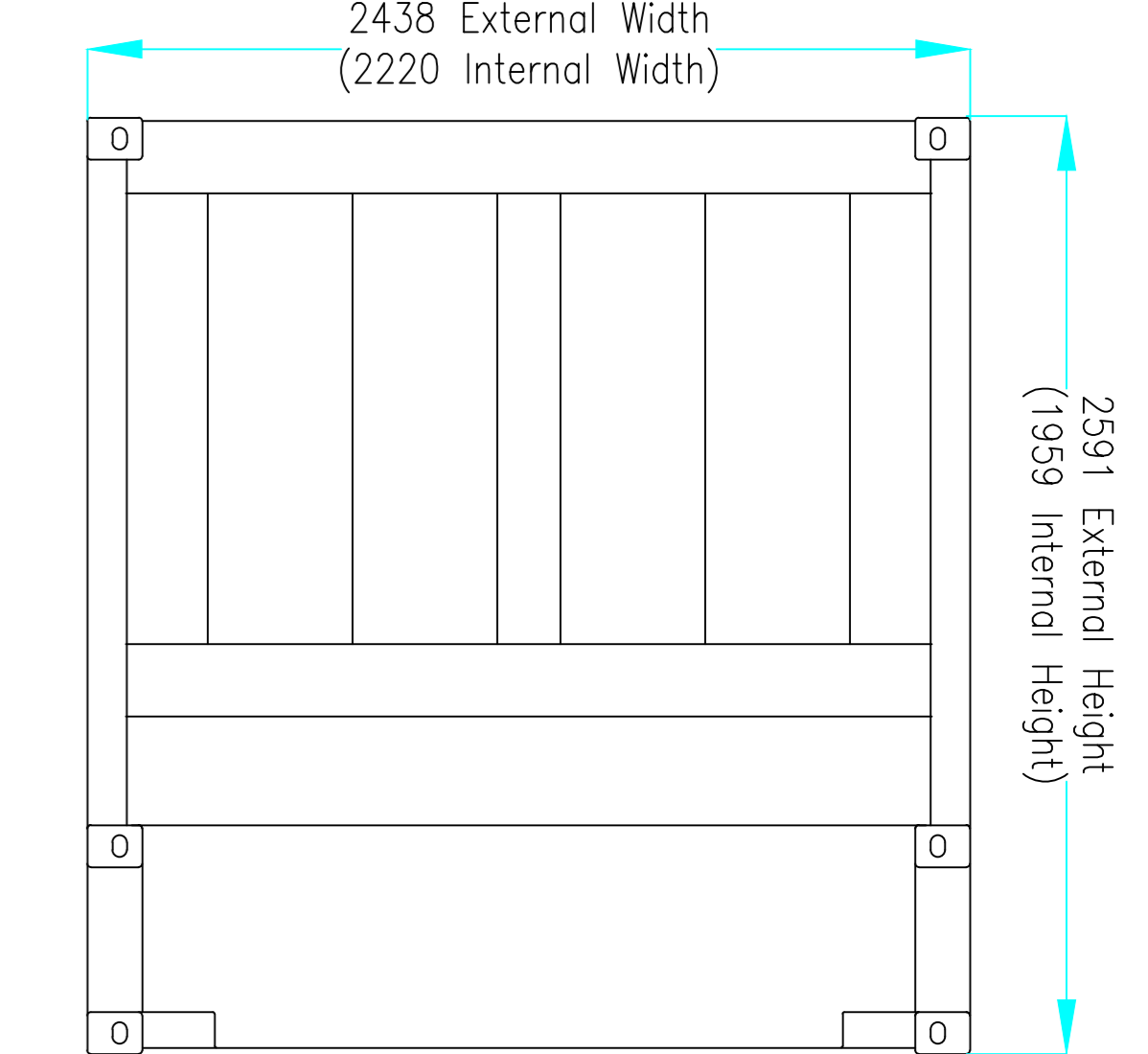
SIDE ELEVATION "A"



DOOR ELEVATION "C"



DOOR ELEVATION "C"



Unit 1, Red House Farm Business Units, Bacton, Suffolk, IP14 4LE
Tel: 01449 782123
Fax: 0845 3311434

Copyright in this drawing belongs to Portable Space Ltd. Neither the whole drawing nor any part thereof may be reproduced without the prior permission in writing of Portable Space Ltd

DRAWING STATUS

- 1 PRELIMINARY (FOR INFORMATION ONLY)
- 2 ISSUED FOR APPROVAL
- 3 CLIENT APPROVED
- 4 ISSUED FOR CONSTRUCTION
- 5 AS BUILT

COLOUR: RAL TBC

OVERALL CAPACITY (M3):	*
MAX GROSS WEIGHT (KG)	52,500
TARE WEIGHT (KG)	5,100
MAX PAYLOAD WEIGHT (KG)	47,400

- DISTRIBUTION BOARD
- 2Kw PANEL HEATER
- TUBULAR HEATER
- HIGH LEVEL FAN HEATER
- RED BULKHEAD 16W PLS
- 1500mm VAPOUR PROOF FLUORESCENT LIGHT
- BULKHEAD LIGHT
- WATER HEATER
- 13A TWIN SOCKET - LOW
- 13A TWIN SOCKET - HIGH

- SWITCH SPUR
- WALL LIGHT SWITCH
- PULL LIGHT SWITCH
- THERMOSTAT
- EXTRACTION FAN
- SHOWER HEATER
- FROST STAT
- VENT
- E.S 12mm EARTHING STUD
- JACKLEG

- OIL FILLED RADIATOR
- EMERGENCY EXIT LIGHT
- 3-POINT LOCKING
- PEDESTRIAN FIRE DOOR
- WINDOW - 1067x1067
- STAINLESS STEEL SINK

Additional Details:

Title
PORTABLE SPACE LTD: 40' X 8' USED SHIPPING CONTAINER - OPEN TOP

Unit Type
20' USED OPEN TOP CONTAINER

Date	Scale	Drawn By
24-06-20	N.T.S	LG
Q No.	Drawing No.	Rev.
*	QF-343	0

Revision Details:

*