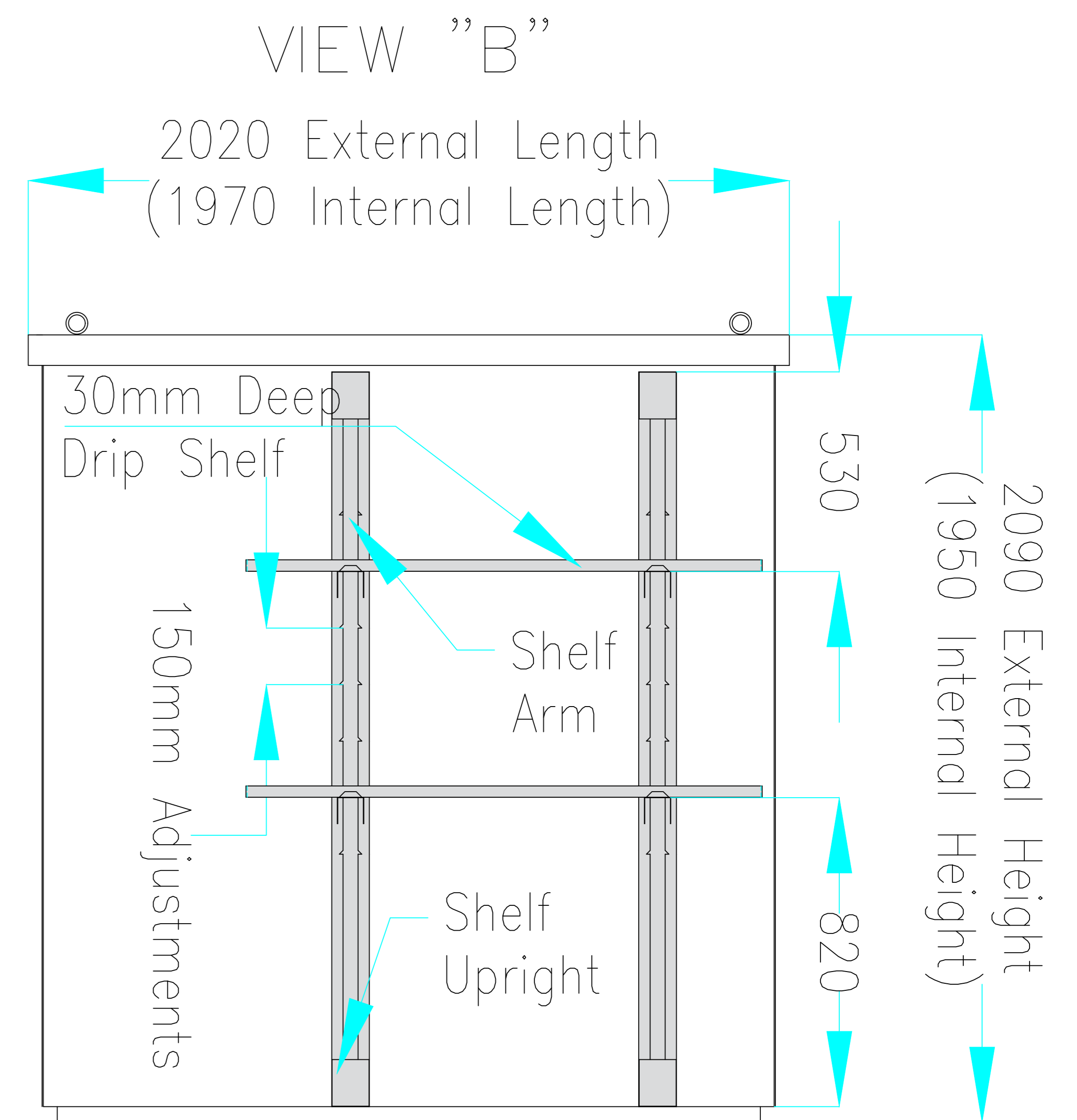
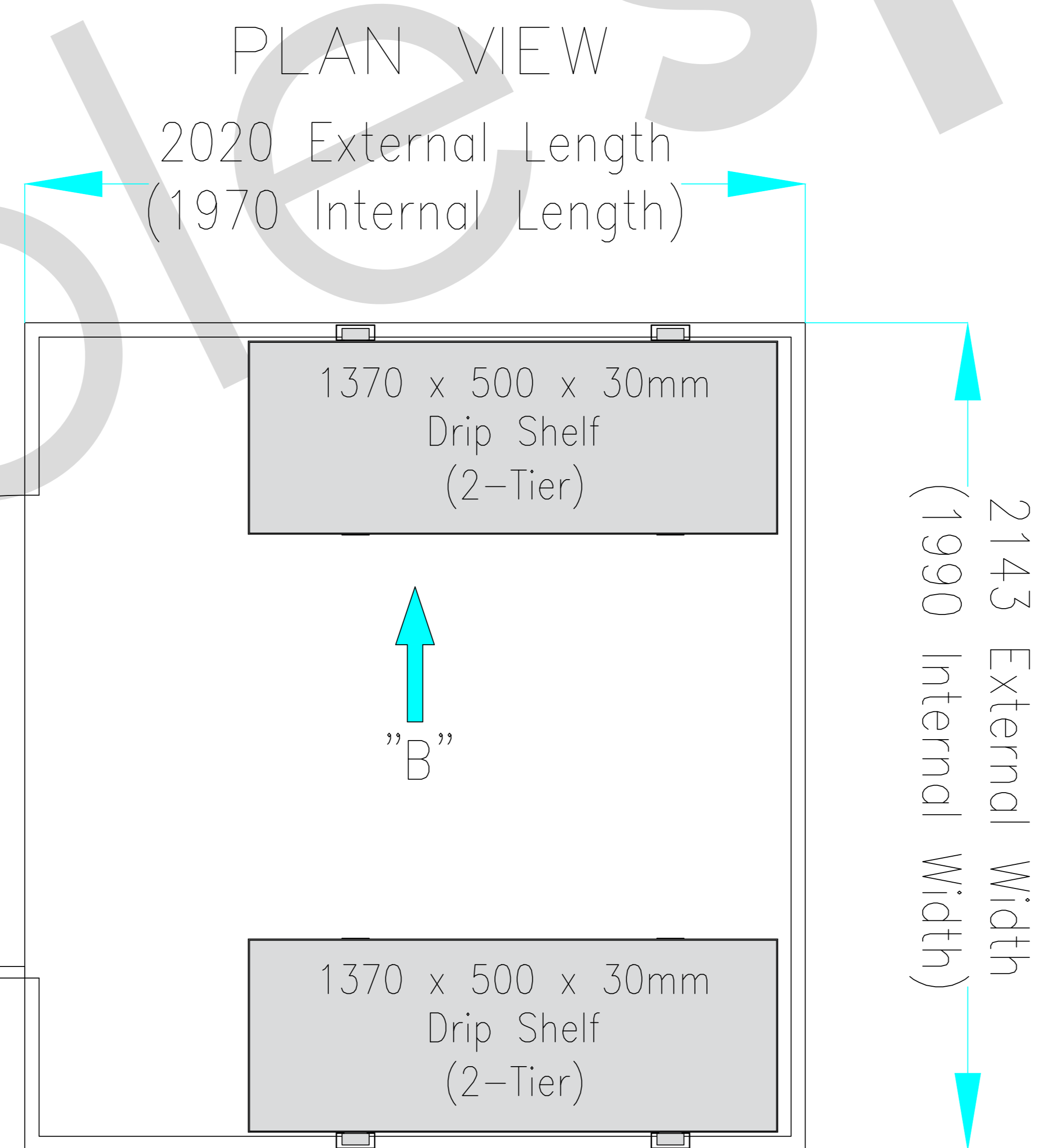
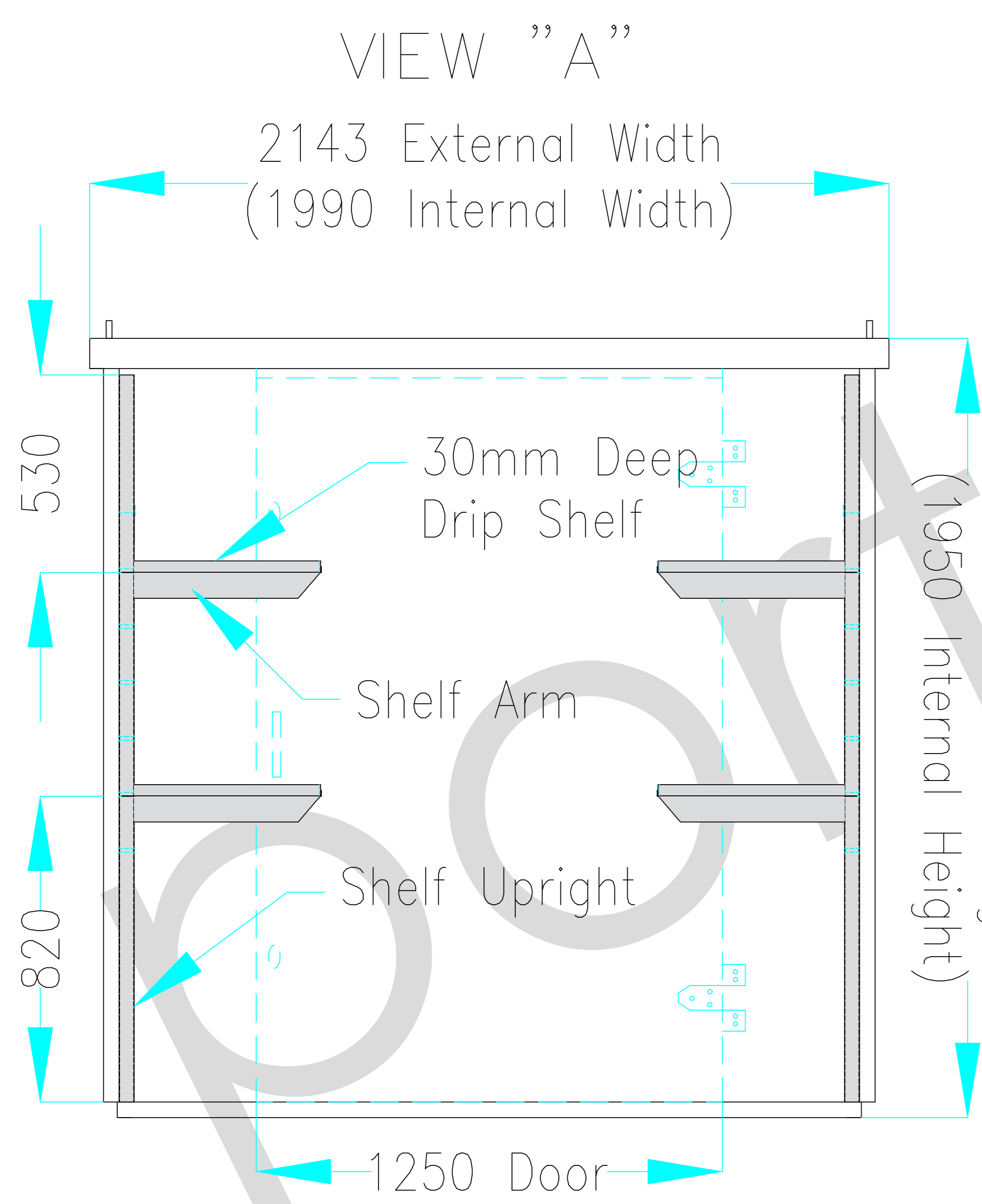


portablespace

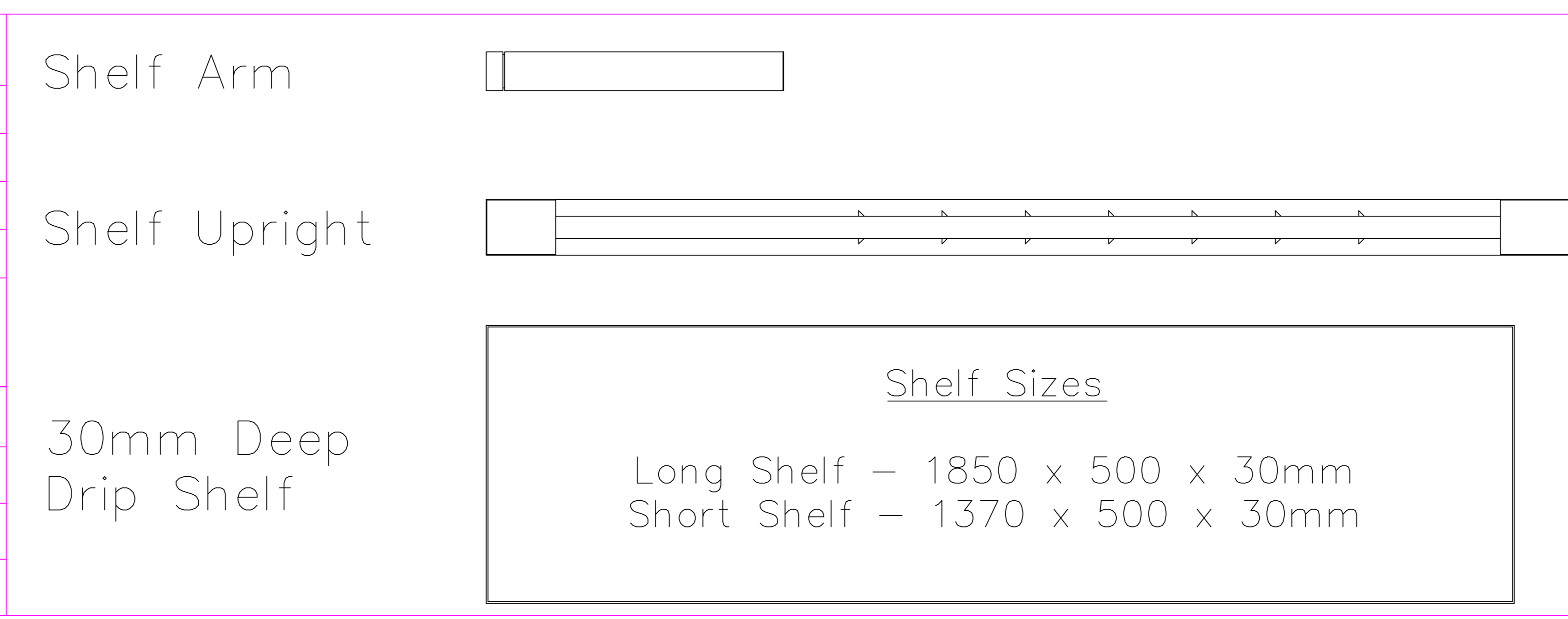


**portablespace**  
 cabin & container hire | sales | conversions | modular

Unit 1, Red House Farm Business Units, Bacton, Suffolk, IP14 4LE  
 Tel: 01449 782123  
 Fax: 0845 3311434

Copyright in this drawing belongs to Portable Space Ltd. Neither the whole drawing nor any part thereof may be reproduced without the prior permission in writing of Portable Space Ltd

DRAWING STATUS	
1	<input checked="" type="checkbox"/> PRELIMINARY (FOR INFORMATION ONLY)
2	<input type="checkbox"/> CLIENT APPROVED
3	<input type="checkbox"/> ISSUED FOR MANUFACTURE
4	<input type="checkbox"/> AS BUILT
COLOUR: RAL TBC	
OVERALL CAPACITY (M3):	*
UNLADEN WEIGHT (KG)	*
MAXIMUM LADEN WEIGHT (KG)	*
MAXIMUM LIFT WEIGHT (KG)	*



**Additional Details**  
 Please Note:

- Each Arm is Rated to hold 15kg per arm
- Each Upright can support maximum of 3 drip shelves
- 150mm Adjustment on Shelf Uprights

Title PORTABLE SPACE LTD: 2M FLAT-PACK STORE C/W 2-TIER SHELVING (PARTIAL LENGTH BOTH SIDES)		
Unit Type 2M FLAT-PACK STORE UNIT		
Date 18-11-20	Scale N.T.S	Drawn By LG
Q No. *	Drawing No. *	Rev. 0
Revision Details: *		