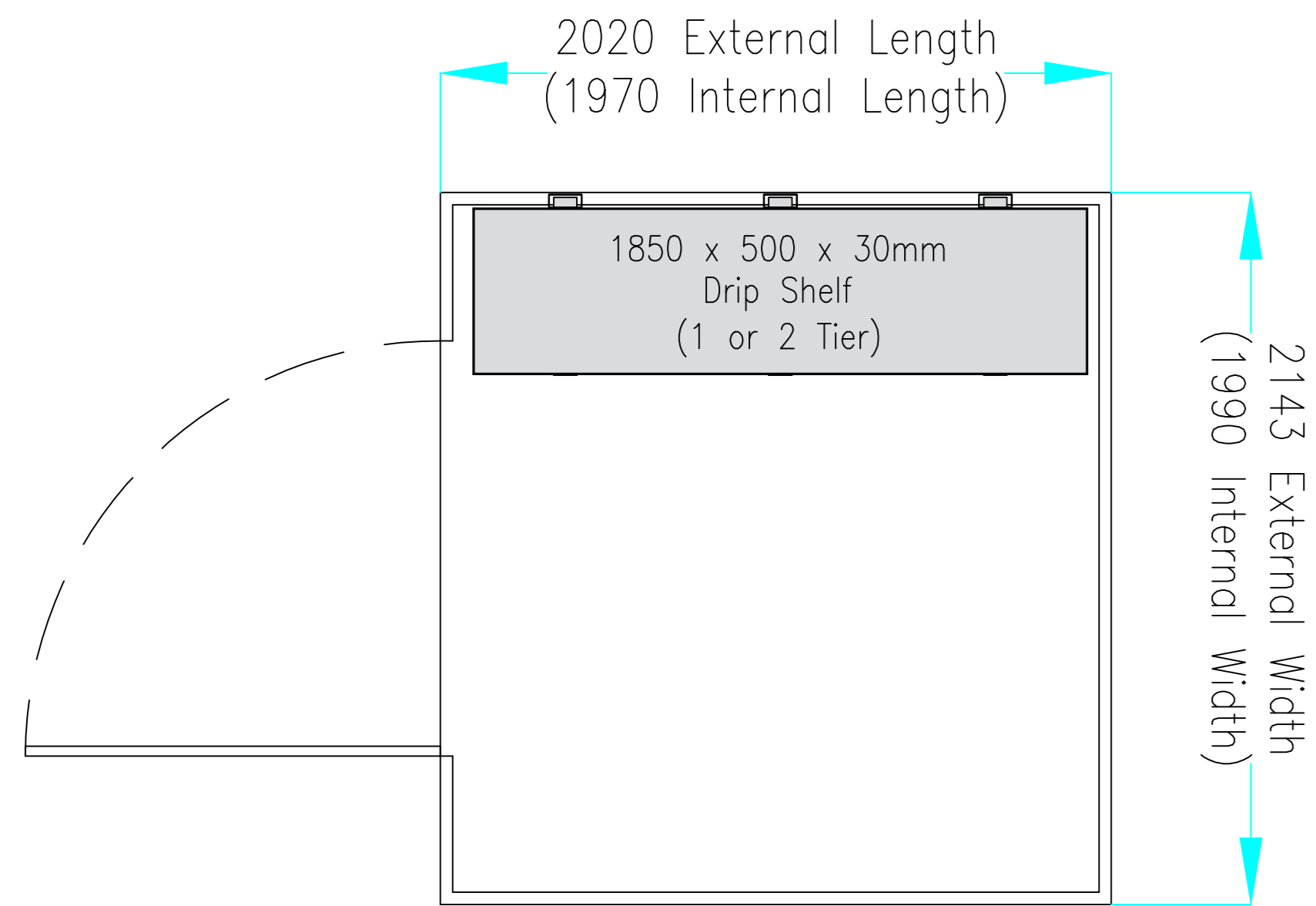
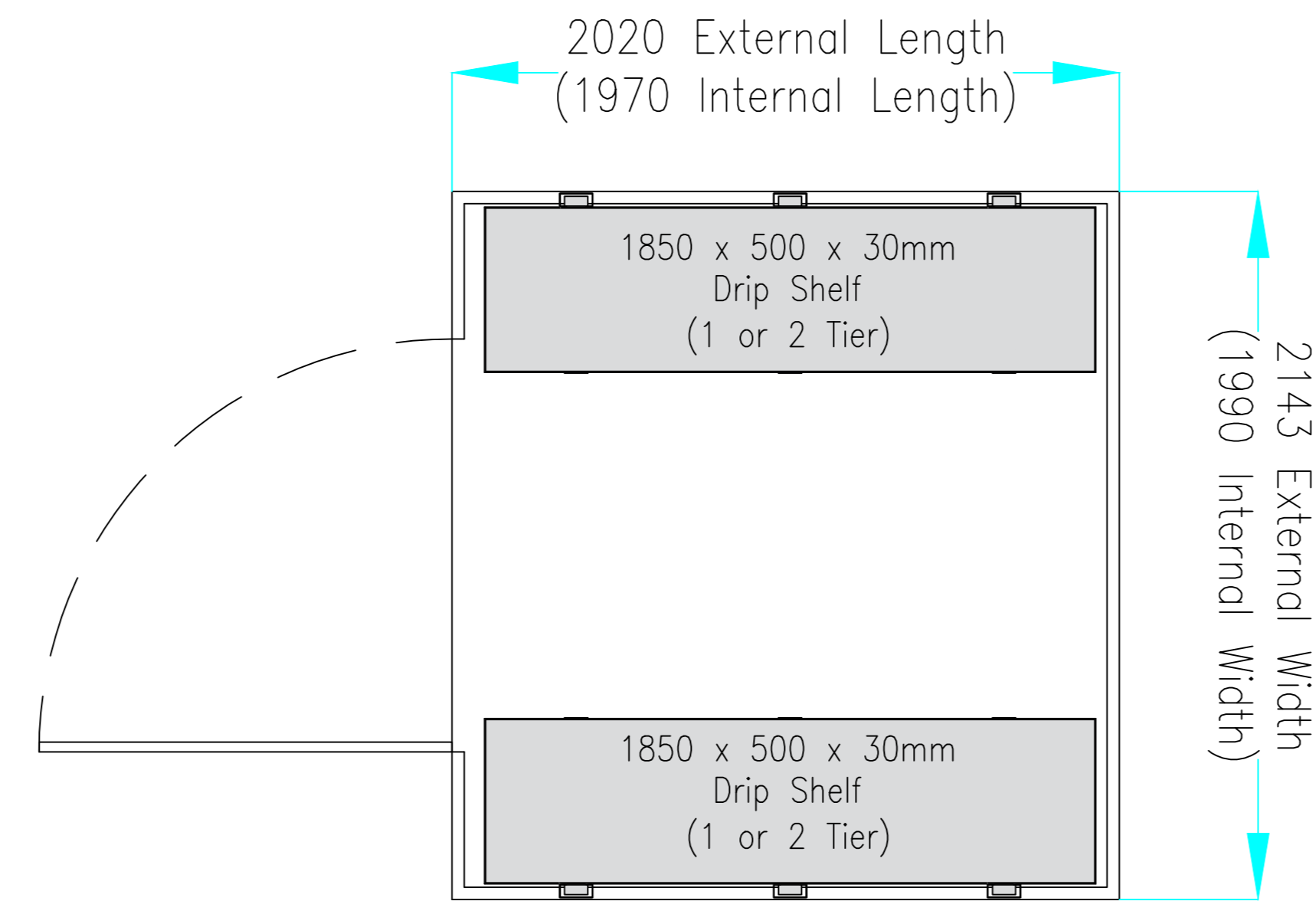


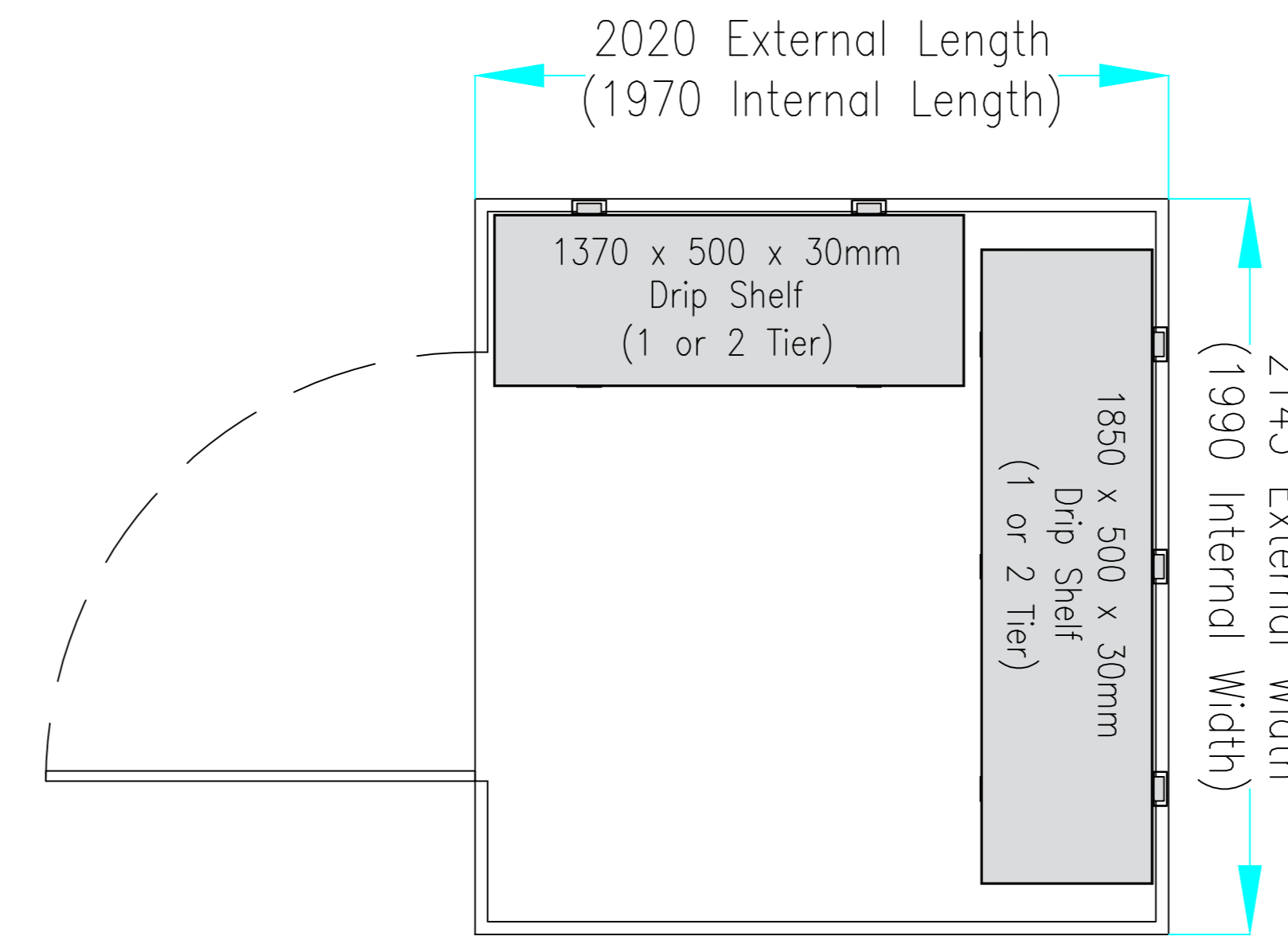
Single Side, Full Length (Single-Tier)
 – Quickfind Code: 1250
 Single Side, Full Length (Two-Tier)
 – Quickfind Code: 1254



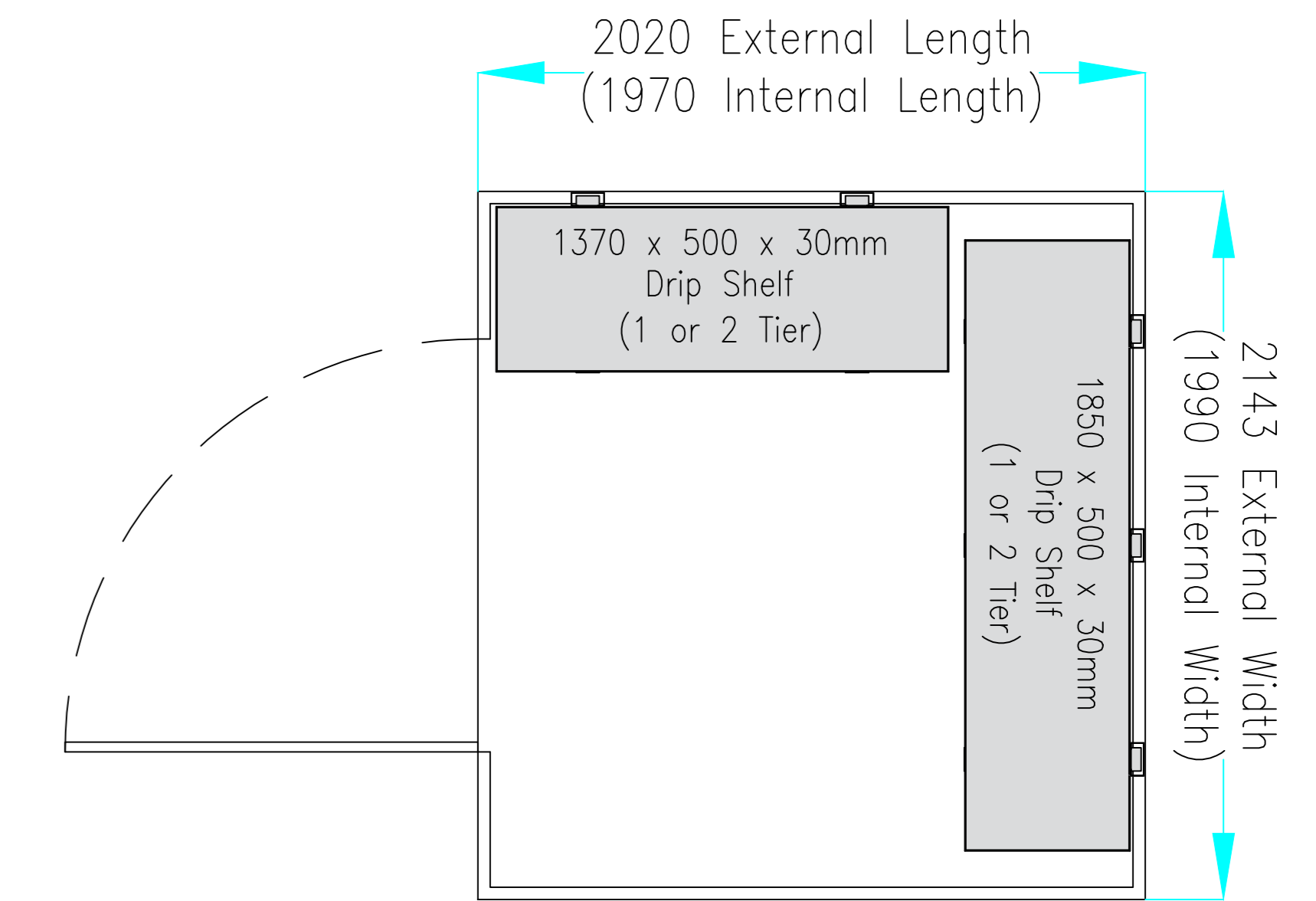
Both Sides, Full Length (Single-Tier)
 – Quickfind Code: 1251
 Both Sides, Full Length (Two-Tier)
 – Quickfind Code: 1255



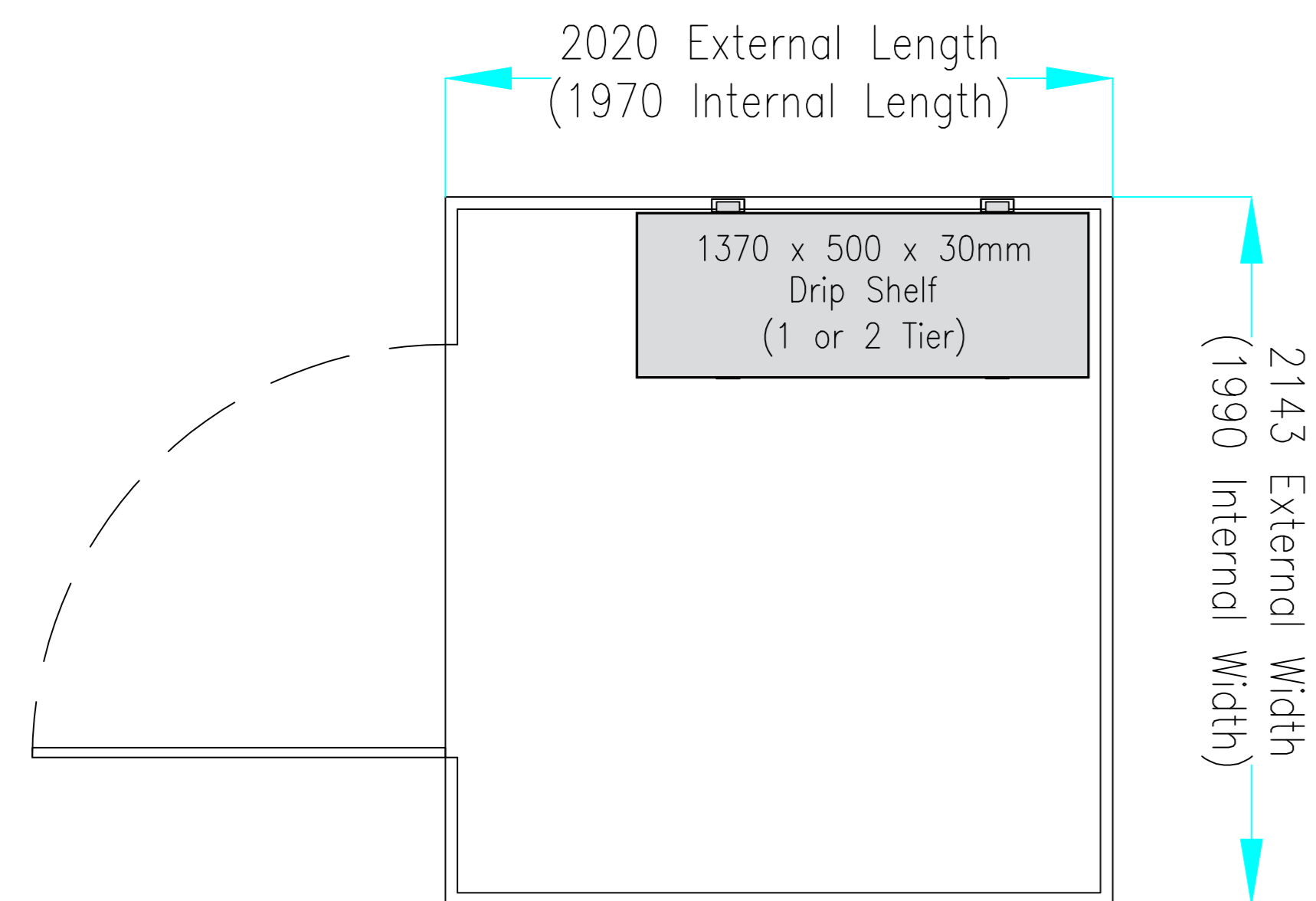
One Side & Rear End (Single-Tier)
 – Quickfind Code: 1276
 One Side & Rear End (Two-Tier)
 – Quickfind Code: 1277



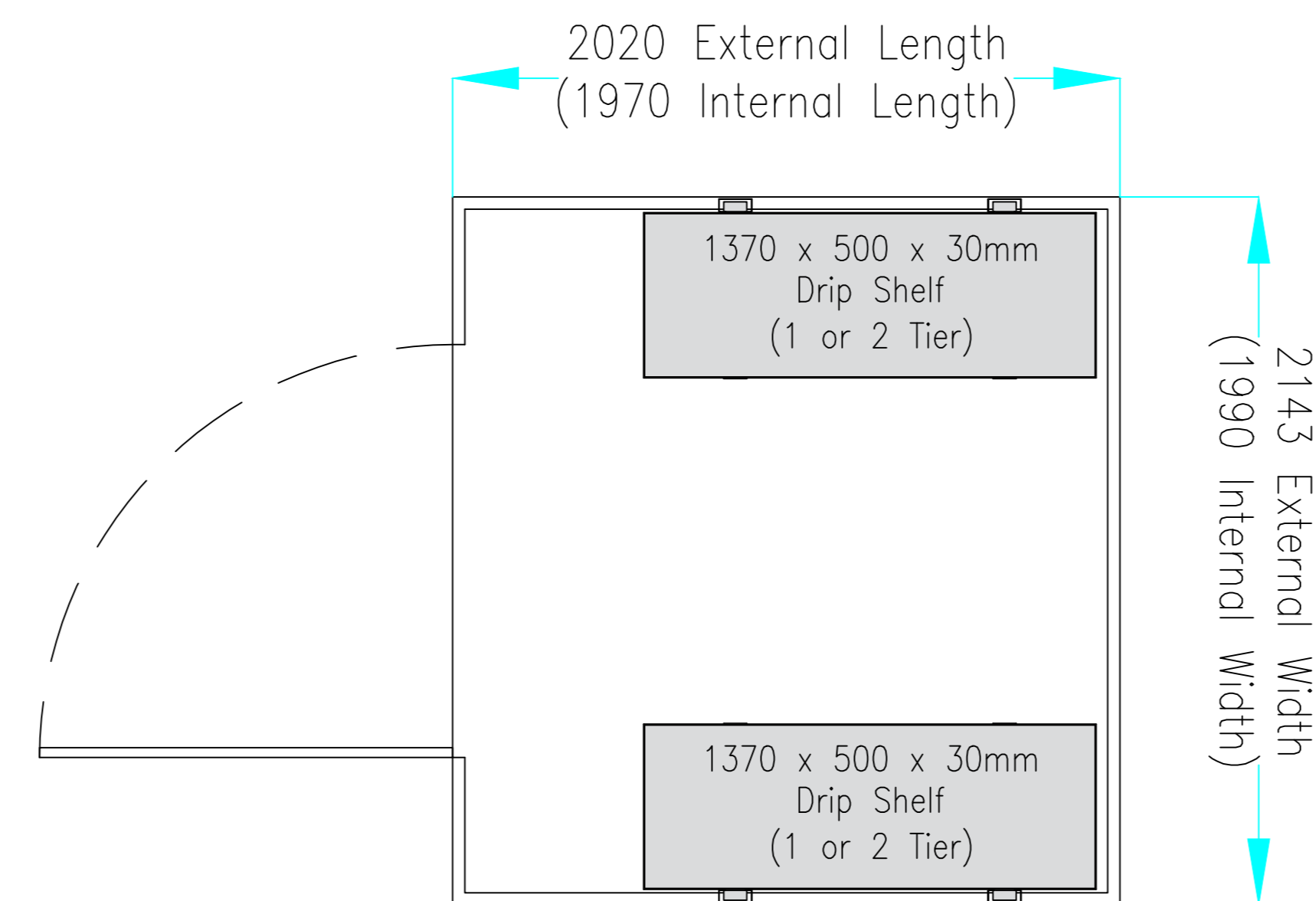
Both Sides & Rear End (Single-Tier)
 – Quickfind Code: 1252
 Both Sides & Rear End (Two-Tier)
 – Quickfind Code: 1256



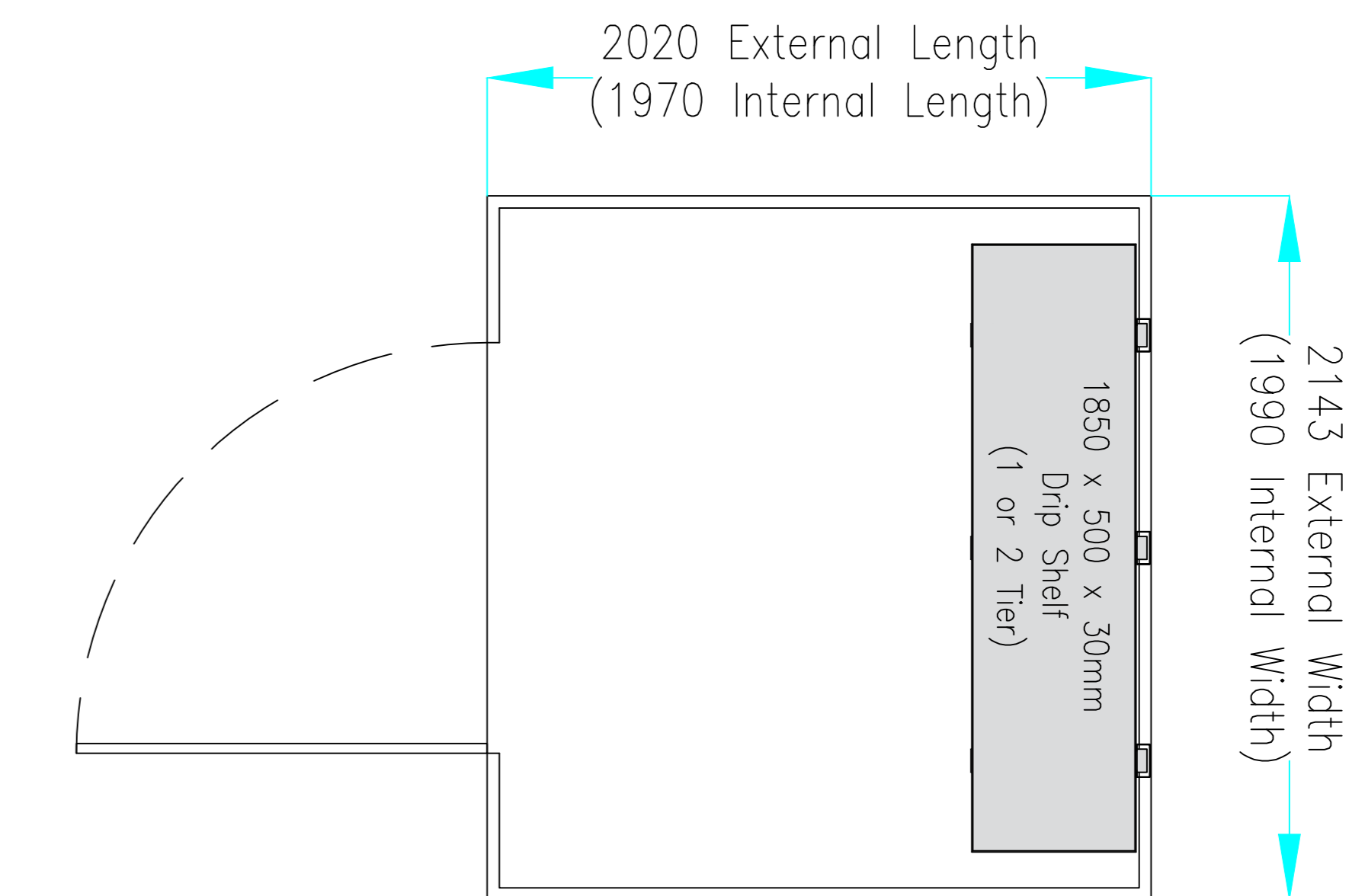
Single Side, Part Length (Single-Tier)
 – Quickfind Code: 1253
 Single Side, Part Length (Two-Tier)
 – Quickfind Code: 1257



Both Sides, Part Length (Single-Tier)
 – Quickfind Code: 1286
 Both Sides, Part Length (Two-Tier)
 – Quickfind Code: 1287



Rear End (Single-Tier)
 – Quickfind Code: 1274
 Rear End (Two-Tier)
 – Quickfind Code: 1275



Unit 1, Red House Farm
 Business Units, Bacton,
 Suffolk, IP14 4LE
 Tel: 01449 782123
 Fax: 0845 3311434

Copyright in this drawing
 belongs to Portable Space
 Ltd. Neither the whole
 drawing nor any part
 thereof may be reproduced
 without the prior
 permission in writing of
 Portable Space Ltd

Additional Details

Please Note:

- Each Arm is Rated to hold 15kg per arm
- Each Upright can support maximum of 3 drip shelves
- 150mm Adjustment on Shelf Uprights

Title

PORTABLE SPACE LTD:
 2M FLAT-PACK STORE SHELVING OPTIONS

Unit Type

2M FLAT-PACK STORE UNIT

Date	Scale	Drawn By
22-02-21	N.T.S	LG
Q No.	Drawing No.	Rev.
*	*	0

Shelving Details:

