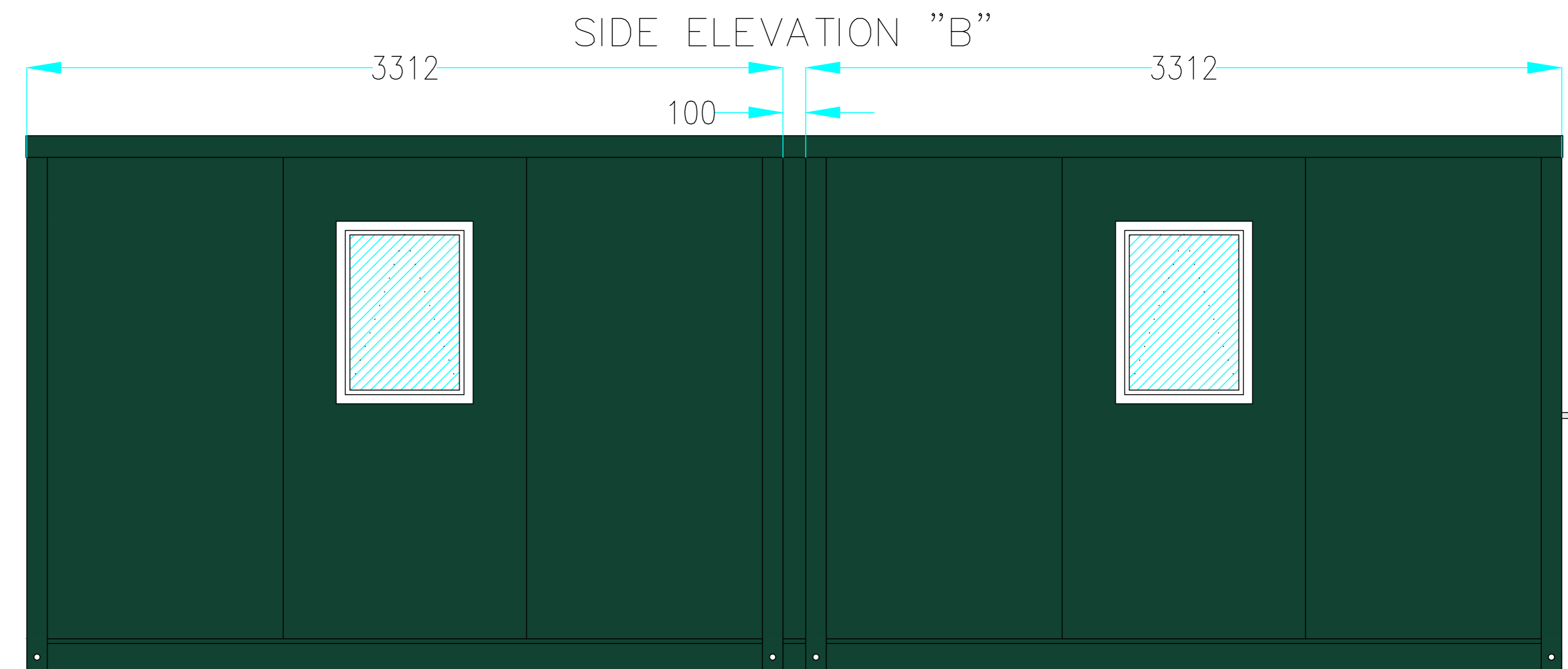
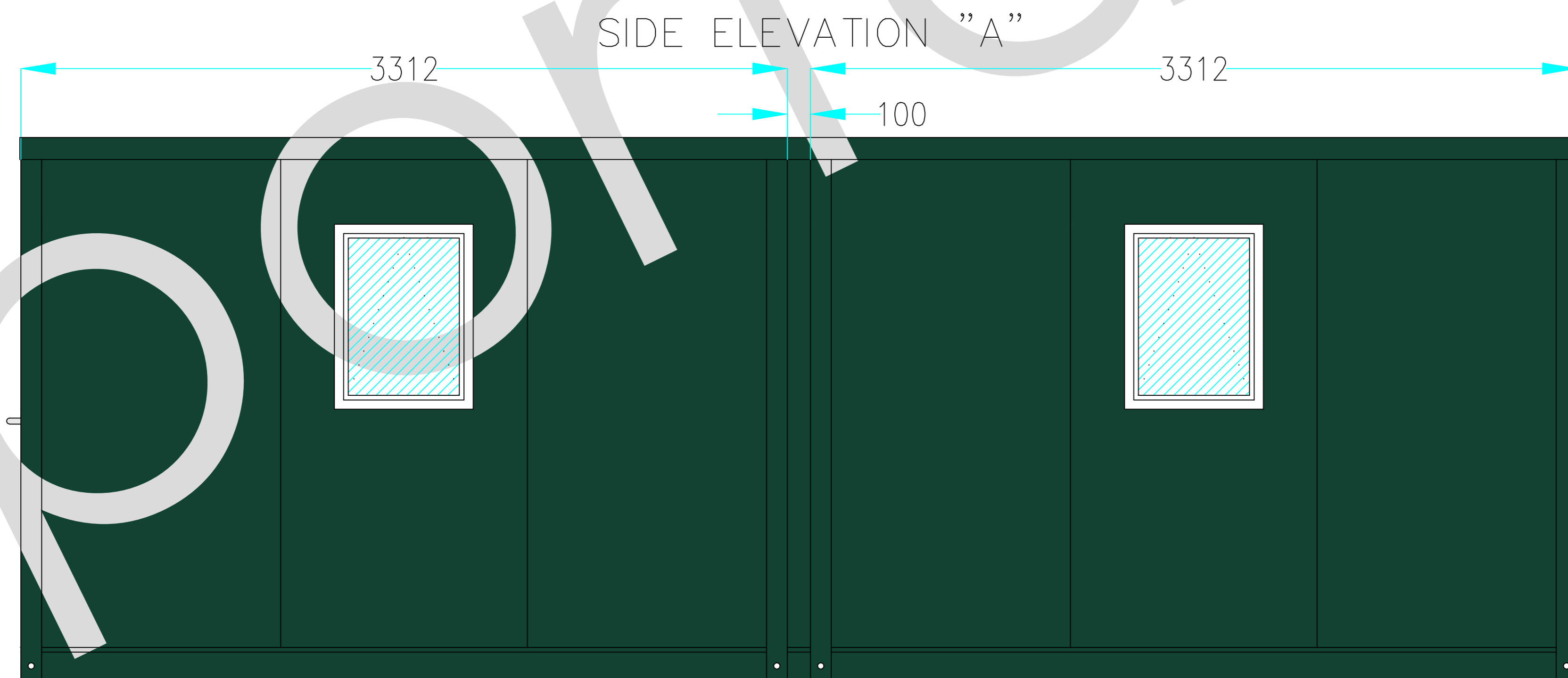
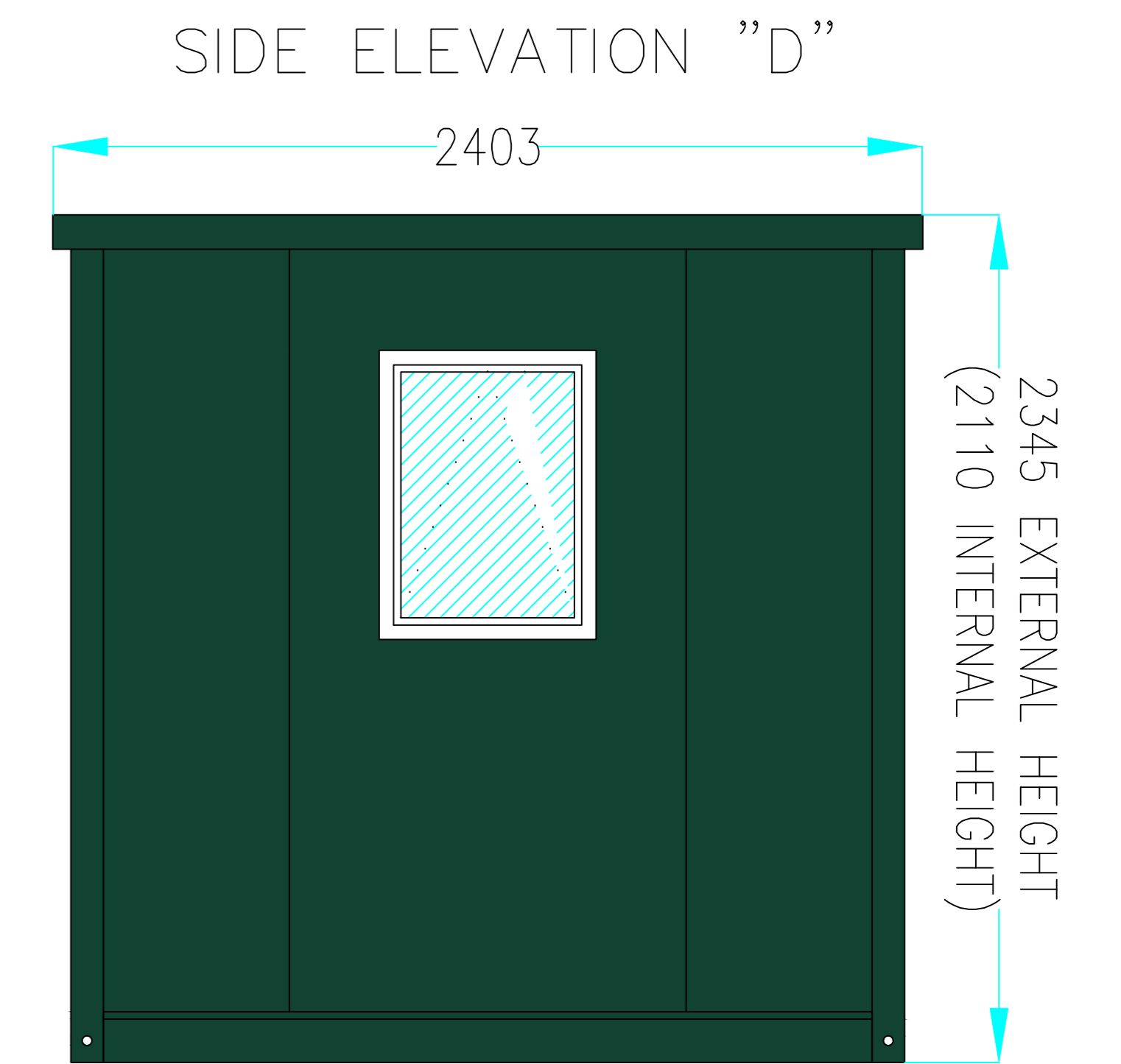
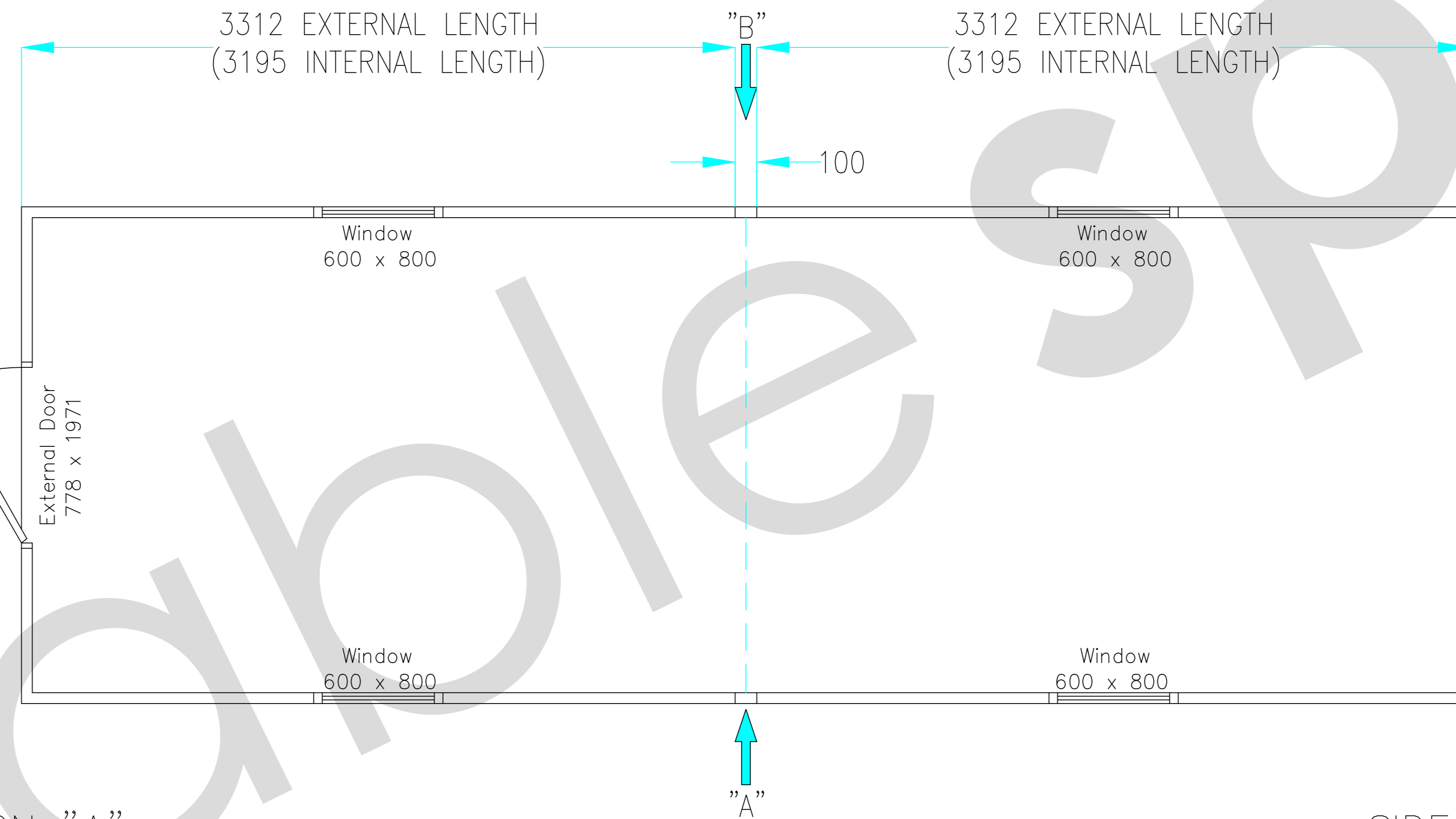




SECTIONAL PLAN



**portablespace**  
cabin & container hire | sales | conversions | modular

Unit 1, Red House Farm Business Units, Bacton, Suffolk, IP14 4LE  
Tel: 01449 782123  
Fax: 0845 3311434

Copyright in this drawing belongs to Portable Space Ltd. Neither the whole drawing nor any part thereof may be reproduced without the prior permission in writing of Portable Space Ltd

DRAWING STATUS

- 1  PRELIMINARY (FOR INFORMATION ONLY)
- 2  CLIENT APPROVED
- 3  ISSUED FOR MANUFACTURE
- 4  AS BUILT

COLOUR: Green to RAL 6005

OVERALL CAPACITY (M3):	*
UNLADEN WEIGHT (KG)	*
MAXIMUM LADEN WEIGHT (KG)	*
MAXIMUM LIFT WEIGHT (KG)	*

- DISTRIBUTION BOARD
- 2Kw PANEL HEATER
- TUBULAR HEATER
- HIGH LEVEL FAN HEATER
- RED BULKHEAD 16W PLS
- 1500mm VAPOUR PROOF FLUORESCENT LIGHT
- BULKHEAD LIGHT
- WATER HEATER
- 13A TWIN SOCKET - LOW
- 13A TWIN SOCKET - HIGH

- SWITCH SPUR
- WALL LIGHT SWITCH
- PULL LIGHT SWITCH
- THERMOSTAT
- EXTRACTION FAN
- SHOWER HEATER
- FROST STAT
- VENT
- E.S. 12mm EARTHING STUD

Additional Details:

Title  
PORTABLE SPACE LTD: 3.3M X 2.3M  
FLATPACKED OFFICE (END LINKED) UNITS

Unit Type  
3M FLAT-PACK OFFICE UNIT

Date	Scale	Drawn By
17-09-21	N.T.S	LG
Q No.	Drawing No.	Rev.
*	QF-982	0

Revision Details:

\*